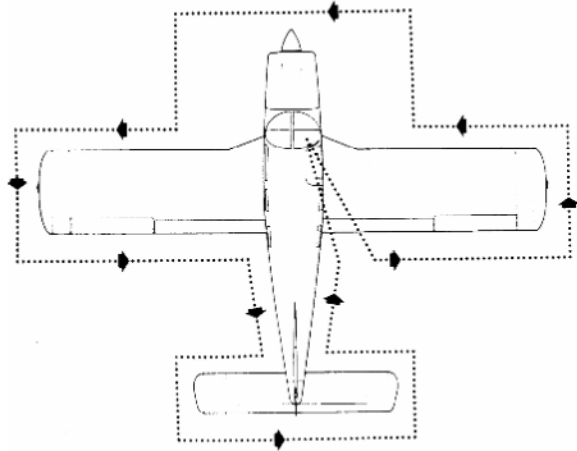


PA-28R-200 PIPER ARROW II

Quick Reference Preflight Checklist

For use only with an approved Piper checklist

PREFLIGHT INSPECTION



CABIN

1. Pilots Operating Handbook.....On Board
2. A. R. R. O. W.....Check Documents
3. Control Lock.....Remove
4. Parking Brake.....Set
5. Avionics.....Check Comm, Nav, Trans. Off
6. Circuit Breakers.....Check In
7. Flaps.....Check Up
8. Gear switch.....Check Down
10. Magneto Switch.....Selected to Off
11. Battery Switch.....Turn On
12. Fuel Quantity.....Check Fuel Gages
13. Exterior Lights....Check Operation then Off
14. Battery Switch.....Turn Off

RIGHT WING

1. Flap and aileron.....Check
2. Position light.....Green
3. Leading edge.....Check
4. Wing tie down.....Disconnect
5. Fuel quantity....Visual check, secure cap
6. Fuel tank vent.....Unobstructed
7. Tire, gear well, brakes.....Check
8. Landing gear strut.....2 inches showing
9. Fuel drain(s).....Sump and check

NOSE

1. Oil.....Check (Min 6, Max 8 qt.)
2. Oil access door.....Secure
3. Propeller.....Inspect
4. Spinner.....Secure
5. Air inlet.....Check
6. Alternator belt.....Check tension
7. Tire, gear well.....Check
8. Nosewheel strut.....2-3 inches showing
9. Fuel drain.....Sump and check

LEFT WING

1. Fuel drain.....Sump and check
2. Fuel quantity....Visual check, secure cap
3. Tire, gear well, brake.....Check
4. Landing gear strut.....2 inches showing
5. Pitot mast.....Inspect
6. Fuel tank vent.....Unobstructed
7. Wing tie down.....Remove
8. Stall warning vane.....Check
9. Position light.....Red
10. Aileron and flap.....Check

EMPENNAGE & AFT FUSELAGE

1. Fresh air inlet.....Unobstructed
2. Tail tie down.....Remove
3. Stabilator.....Check
4. Rudder.....Check
5. Position light.....White
6. Baggage.....Secure with tie downs
7. Baggage door.....Secure

Bergstrom Aircraft, Inc.
4102 Stearman Drive
Pasco Washington, 99301
(509) 547-6271 (800) 746-6271

DON'T FORGET TO SIGN YOUR INVOICE !