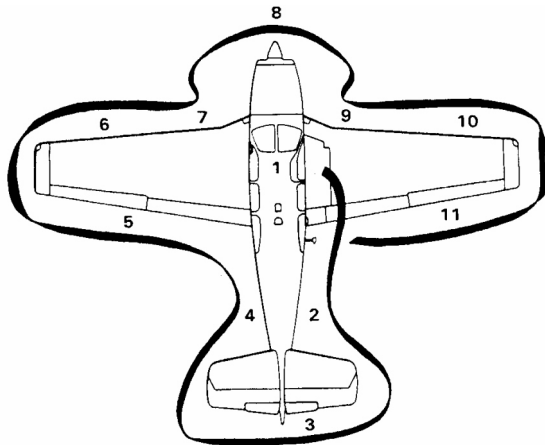


BE-35S BEECHCRAFT BONANZA

Quick Reference Preflight Checklist

For use only with an approved Beechcraft checklist

PREFLIGHT INSPECTION



I. Cabin

1. Pilots Operating Handbook.....On Board
2. A. R. R. O. W.....Check Documents
3. Control Lock.....Remove
4. Parking Brake.....Set
5. Avionics.....Check Comm, Nav, Trans. Off
6. Circuit Breakers.....Check In
7. Flap Switch.....Check Up
8. Gear switch.....Check Down
9. ELT.....Armed
10. Magneto Switch.....Selected to Off
11. Battery Switch.....Turn On
12. Fuel Quantity.....Check Fuel Gages
13. Exterior Lights Check Operation then Off
14. Battery Switch.....Turn Off

II. Right Fuselage

1. Baggage compartment door....Secure
2. Static Pressure source...Unobstructed

III. Empennage

1. Ruddervators.....Check security, correct movement
2. Trim tabs.....Check
3. Tie down.....Remove
4. Position light.....Check White

IV. Left Fuselage

1. Static pressure source Unobstructed
2. All antennas.....Check

V. Left Wing Trailing Edge

1. Flap.....Check
2. Aileron.....Check

3. Wing tip.....Check
4. Position light.....Check Red

VI. Left Wing Leading Edge

1. Stall warning.....Check
2. Pitot tube.....Check, remove cover
3. Fuel tank...Check quantity, secure cap
4. Cabin air intake.....Check
5. Tie down, chocks.....Remove

VII. Left Landing Gear

1. Wheel well door, tire, strut.....Check
2. Fuel vent.....Check
3. Fuel sump.....Drain
4. Fuel selector sump drain, secure cover

VIII. Nose Section

1. Left cowl flap.....Check
2. Engine oil.....Check, Max Min
3. Dipstick.....Secure
4. Left Cowl.....Secure
5. Propeller.....Check
6. Nosewheel well doors, tire, strutCheck
7. Induction air intake.....Check clear
8. Landing lights.....Check
9. Engine.....Check general condition
10. Right cowl.....Secure
11. Right cowl flap.....Check
12. Chocks.....Remove

IX. Right Landing Gear

1. Fuel vent.....Check
2. Fuel sump.....Drain
3. Wheel well door, tire, strut.....Check

X. Right Wing Leading Edge

1. Cabin air intake.....Check clear
2. Tie down, chocks.....Remove
3. Fuel tank.Check quantity, secure cap

XI. Right Wing Trailing Edge

1. Wing tip.....Check
2. Position light.....Check Green
3. Aileron.....Check
4. Flap.....Check

BERGSTROM
AIRCRAFT INC. ©

4102 Stearman Drive

Pasco Washington, 99301

(509) 547-6271 (800) 746-6271

DON'T FORGET TO SIGN YOUR INVOICE !